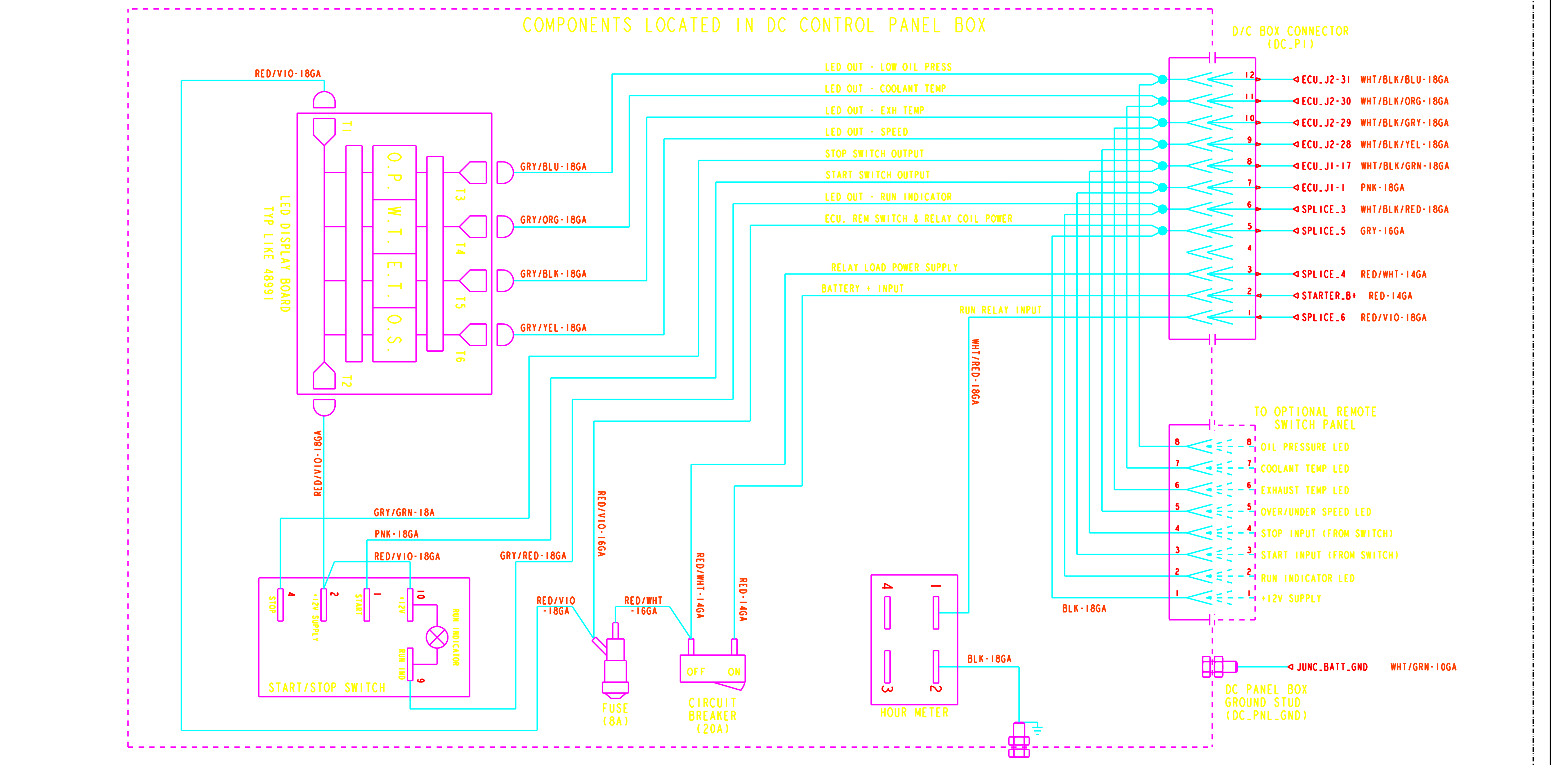
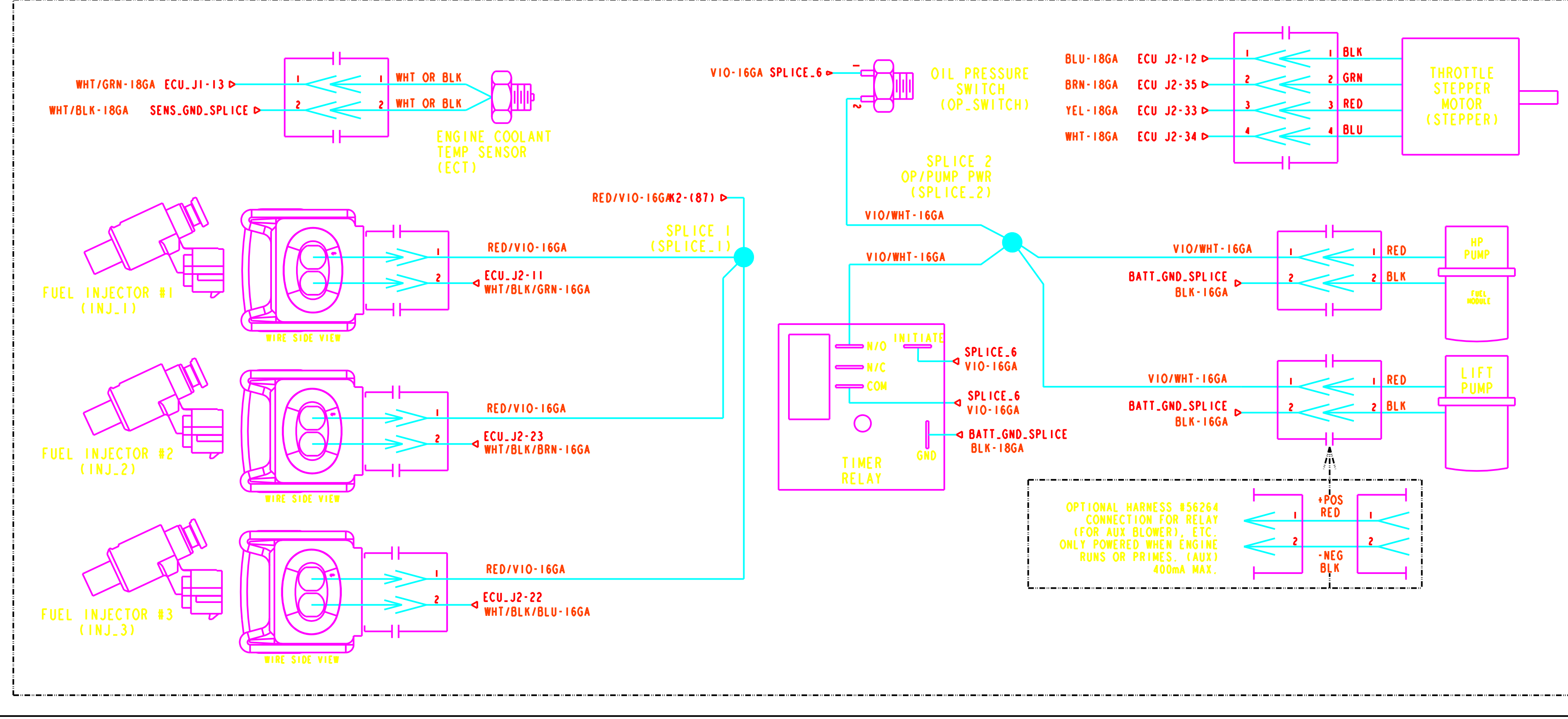
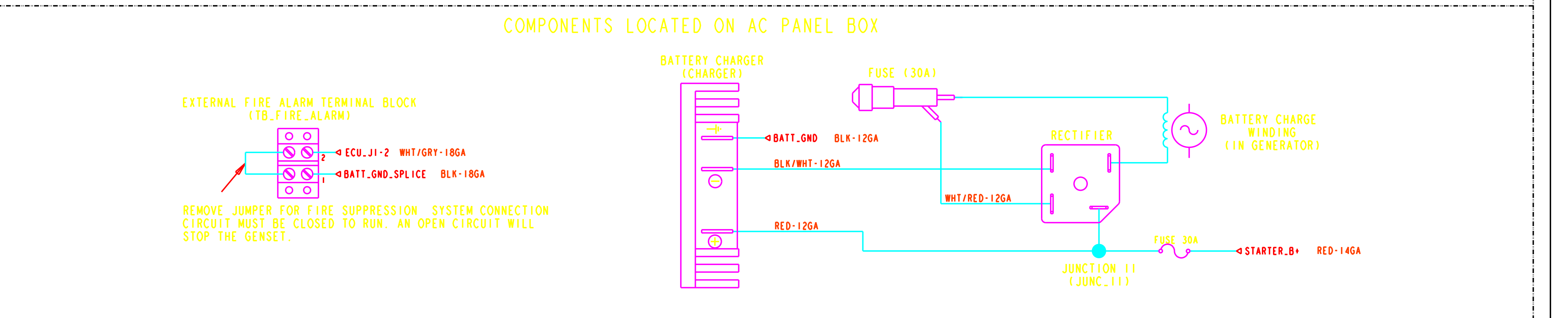
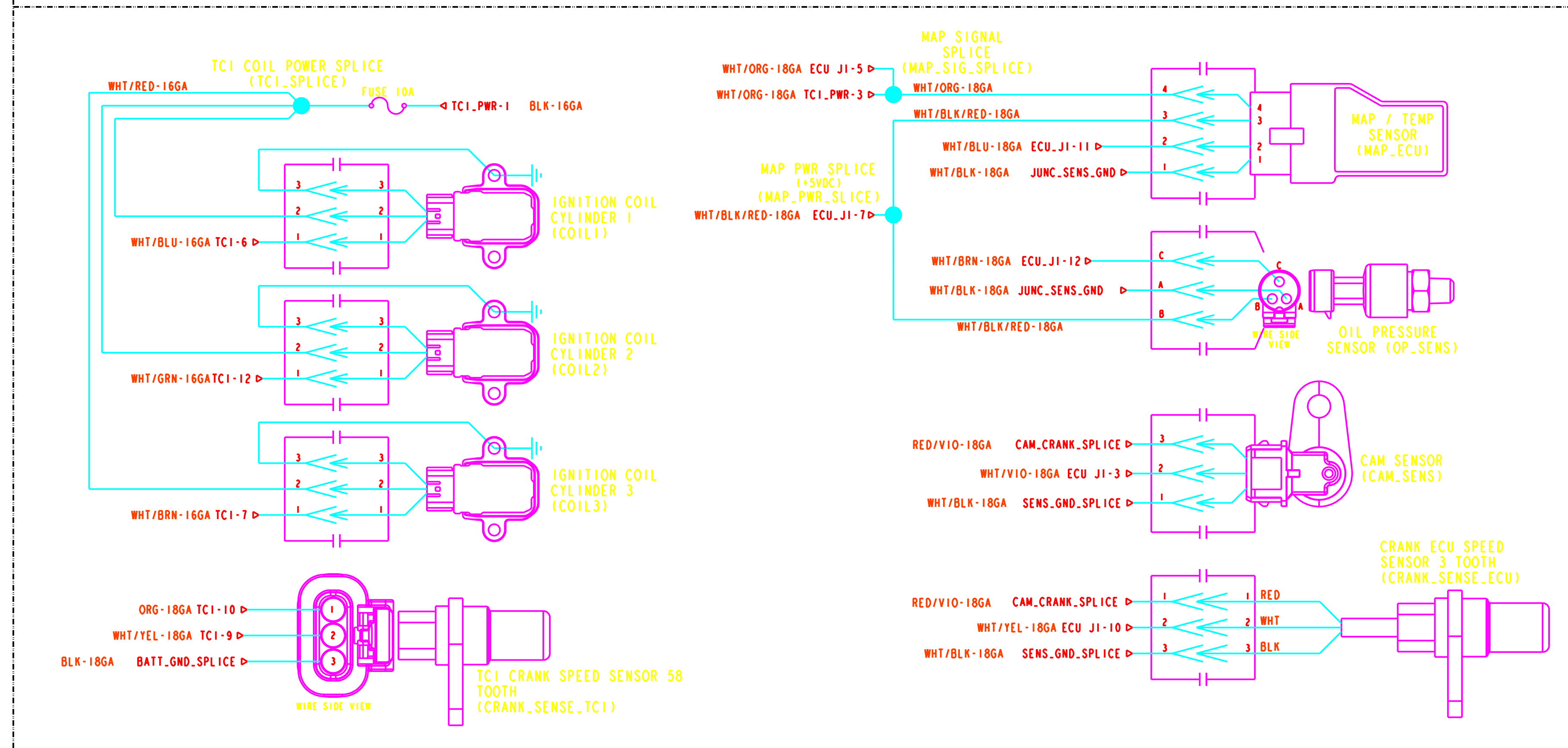
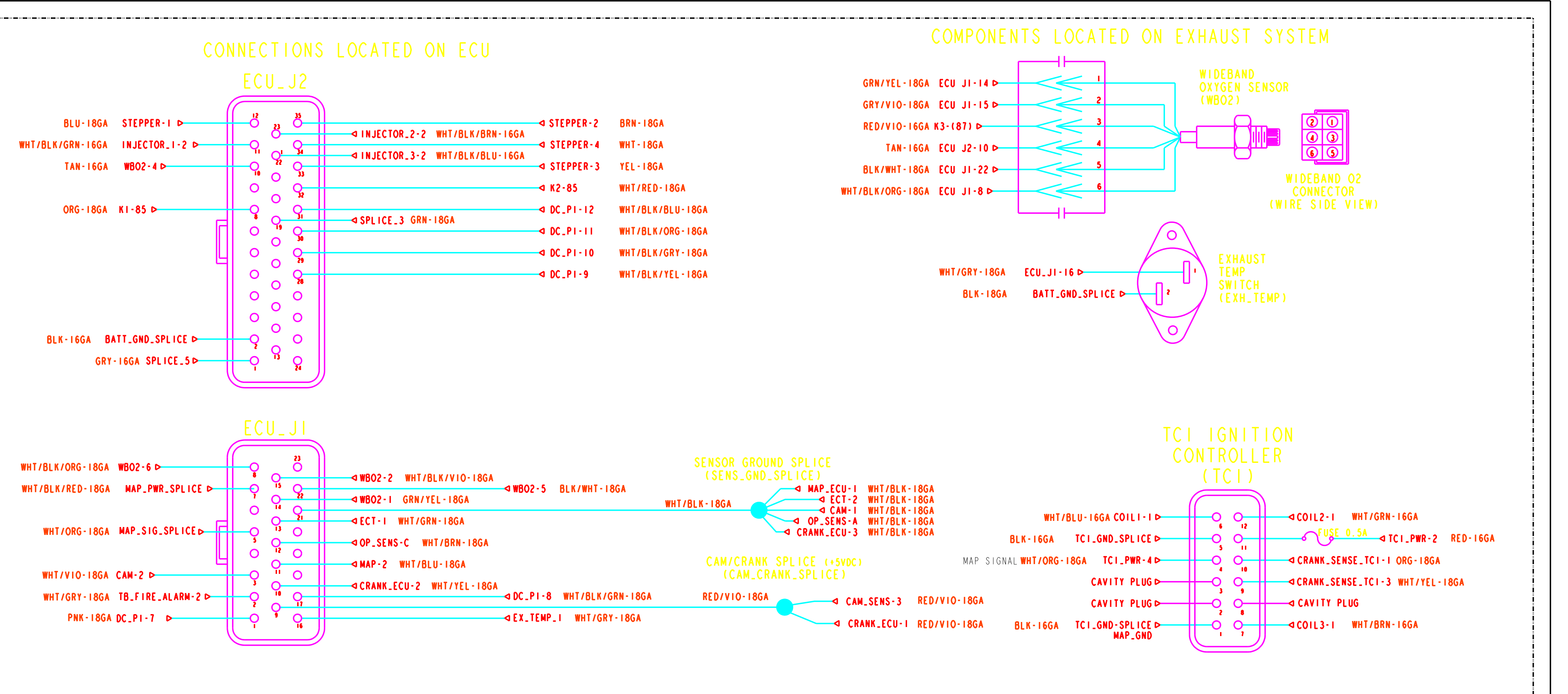
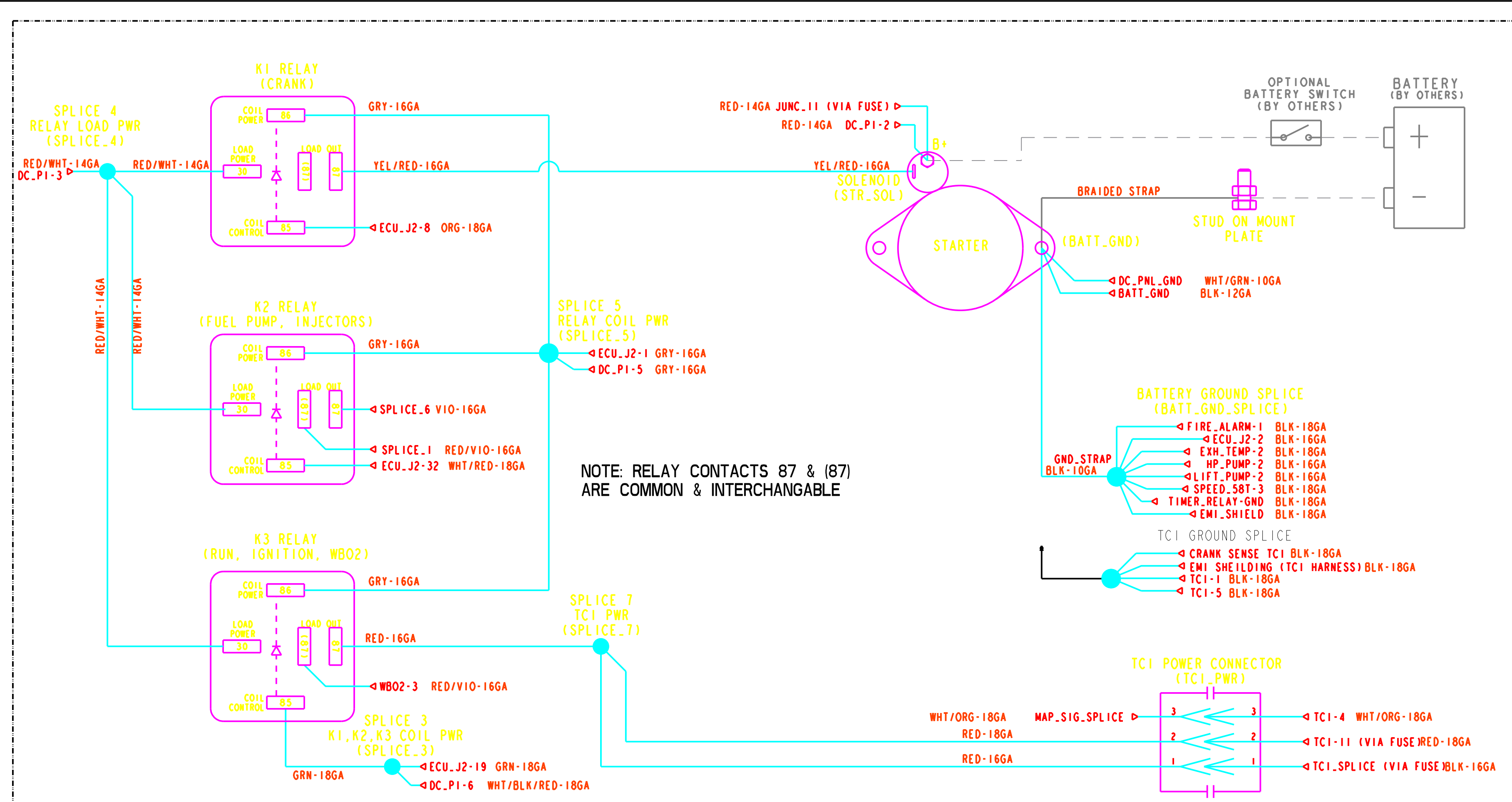


| ECO NO. | DATE | REV. | REVISION RECORD | AUTH. | DR. BY |
|---------|-------|------|---|-------|--------|
| 7723 | 08/20 | A | INITIAL RELEASE | | EF |
| 7731 | 08/20 | B | CHANGE CRANK SPLICE TO J1-9 (5VDC) | | EF |
| 7731 | 08/20 | B | ADDED NOTE ON RELAY CONNECTIONS 87 & 87B | | EF |
| 7837 | 07/24 | C | ADDED EXHAUST, TCI, MAP, DISTRICT FOR FUSE CHANGES FOR FUSE CHANGES. WIRE COLOR CHANGES | | LGH |



| TOLERANCES | | WESTERBEKE | |
|-----------------------------|--------------------------------|---|---|
| UNLESS OTHERWISE SPECIFIED: | INCHES | MILLIMETERS | FILE |
| FRACTIONS | 1/16, 1/8, 3/16, 1/2, 5/8, 3/4 | 1.5, 3, 4.5, 6, 7.5, 9, 10.5, 12, 13.5, 15, 16.5, 18, 19.5, 21, 22.5, 24, 25.5, 27, 28.5, 30, 31.5, 33, 34.5, 36, 37.5, 39, 40.5, 42, 43.5, 45, 46.5, 48, 49.5, 51, 52.5, 54, 55.5, 57, 58.5, 60, 61.5, 63, 64.5, 66, 67.5, 69, 70.5, 72, 73.5, 75, 76.5, 78, 79.5, 81, 82.5, 84, 85.5, 87, 88.5, 90, 91.5, 93, 94.5, 96, 97.5, 99, 100 | 0.0005, 0.001, 0.0015, 0.002, 0.0025, 0.003, 0.0035, 0.004, 0.0045, 0.005, 0.0055, 0.006, 0.0065, 0.007, 0.0075, 0.008, 0.0085, 0.009, 0.0095, 0.01, 0.0105, 0.011, 0.0115, 0.012, 0.0125, 0.013, 0.0135, 0.014, 0.0145, 0.015, 0.0155, 0.016, 0.0165, 0.017, 0.0175, 0.018, 0.0185, 0.019, 0.0195, 0.02, 0.0205, 0.021, 0.0215, 0.022, 0.0225, 0.023, 0.0235, 0.024, 0.0245, 0.025, 0.0255, 0.026, 0.0265, 0.027, 0.0275, 0.028, 0.0285, 0.029, 0.0295, 0.03, 0.0305, 0.031, 0.0315, 0.032, 0.0325, 0.033, 0.0335, 0.034, 0.0345, 0.035, 0.0355, 0.036, 0.0365, 0.037, 0.0375, 0.038, 0.0385, 0.039, 0.0395, 0.04, 0.0405, 0.041, 0.0415, 0.042, 0.0425, 0.043, 0.0435, 0.044, 0.0445, 0.045, 0.0455, 0.046, 0.0465, 0.047, 0.0475, 0.048, 0.0485, 0.049, 0.0495, 0.05, 0.0505, 0.051, 0.0515, 0.052, 0.0525, 0.053, 0.0535, 0.054, 0.0545, 0.055, 0.0555, 0.056, 0.0565, 0.057, 0.0575, 0.058, 0.0585, 0.059, 0.0595, 0.06, 0.0605, 0.061, 0.0615, 0.062, 0.0625, 0.063, 0.0635, 0.064, 0.0645, 0.065, 0.0655, 0.066, 0.0665, 0.067, 0.0675, 0.068, 0.0685, 0.069, 0.0695, 0.07, 0.0705, 0.071, 0.0715, 0.072, 0.0725, 0.073, 0.0735, 0.074, 0.0745, 0.075, 0.0755, 0.076, 0.0765, 0.077, 0.0775, 0.078, 0.0785, 0.079, 0.0795, 0.08, 0.0805, 0.081, 0.0815, 0.082, 0.0825, 0.083, 0.0835, 0.084, 0.0845, 0.085, 0.0855, 0.086, 0.0865, 0.087, 0.0875, 0.088, 0.0885, 0.089, 0.0895, 0.09, 0.0905, 0.091, 0.0915, 0.092, 0.0925, 0.093, 0.0935, 0.094, 0.0945, 0.095, 0.0955, 0.096, 0.0965, 0.097, 0.0975, 0.098, 0.0985, 0.099, 0.1, 0.1005, 0.101, 0.1015, 0.102, 0.1025, 0.103, 0.1035, 0.104, 0.1045, 0.105, 0.1055, 0.106, 0.1065, 0.107, 0.1075, 0.108, 0.1085, 0.109, 0.1095, 0.11, 0.1105, 0.111, 0.1115, 0.112, 0.1125, 0.113, 0.1135, 0.114, 0.1145, 0.115, 0.1155, 0.116, 0.1165, 0.117, 0.1175, 0.118, 0.1185, 0.119, 0.1195, 0.12, 0.1205, 0.121, 0.1215, 0.122, 0.1225, 0.123, 0.1235, 0.124, 0.1245, 0.125, 0.1255, 0.126, 0.1265, 0.127, 0.1275, 0.128, 0.1285, 0.129, 0.1295, 0.13, 0.1305, 0.131, 0.1315, 0.132, 0.1325, 0.133, 0.1335, 0.134, 0.1345, 0.135, 0.1355, 0.136, 0.1365, 0.137, 0.1375, 0.138, 0.1385, 0.139, 0.1395, 0.14, 0.1405, 0.141, 0.1415, 0.142, 0.1425, 0.143, 0.1435, 0.144, 0.1445, 0.145, 0.1455, 0.146, 0.1465, 0.147, 0.1475, 0.148, 0.1485, 0.149, 0.1495, 0.15, 0.1505, 0.151, 0.1515, 0.152, 0.1525, 0.153, 0.1535, 0.154, 0.1545, 0.155, 0.1555, 0.156, 0.1565, 0.157, 0.1575, 0.158, 0.1585, 0.159, 0.1595, 0.16, 0.1605, 0.161, 0.1615, 0.162, 0.1625, 0.163, 0.1635, 0.164, 0.1645, 0.165, 0.1655, 0.166, 0.1665, 0.167, 0.1675, 0.168, 0.1685, 0.169, 0.1695, 0.17, 0.1705, 0.171, 0.1715, 0.172, 0.1725, 0.173, 0.1735, 0.174, 0.1745, 0.175, 0.1755, 0.176, 0.1765, 0.177, 0.1775, 0.178, 0.1785, 0.179, 0.1795, 0.18, 0.1805, 0.181, 0.1815, 0.182, 0.1825, 0.183, 0.1835, 0.184, 0.1845, 0.185, 0.1855, 0.186, 0.1865, 0.187, 0.1875, 0.188, 0.1885, 0.189, 0.1895, 0.19, 0.1905, 0.191, 0.1915, 0.192, 0.1925, 0.193, 0.1935, 0.194, 0.1945, 0.195, 0.1955, 0.196, 0.1965, 0.197, 0.1975, 0.198, 0.1985, 0.199, 0.2, 0.2005, 0.201, 0.2015, 0.202, 0.2025, 0.203, 0.2035, 0.204, 0.2045, 0.205, 0.2055, 0.206, 0.2065, 0.207, 0.2075, 0.208, 0.2085, 0.209, 0.2095, 0.21, 0.2105, 0.211, 0.2115, 0.212, 0.2125, 0.213, 0.2135, 0.214, 0.2145, 0.215, 0.2155, 0.216, 0.2165, 0.217, 0.2175, 0.218, 0.2185, 0.219, 0.2195, 0.22, 0.2205, 0.221, 0.2215, 0.222, 0.2225, 0.223, 0.2235, 0.224, 0.2245, 0.225, 0.2255, 0.226, 0.2265, 0.227, 0.2275, 0.228, 0.2285, 0.229, 0.2295, 0.23, 0.2305, 0.231, 0.2315, 0.232, 0.2325, 0.233, 0.2335, 0.234, 0.2345, 0.235, 0.2355, 0.236, 0.2365, 0.237, 0.2375, 0.238, 0.2385, 0.239, 0.2395, 0.24, 0.2405, 0.241, 0.2415, 0.242, 0.2425, 0.243, 0.2435, 0.244, 0.2445, 0.245, 0.2455, 0.246, 0.2465, 0.247, 0.2475, 0.248, 0.2485, 0.249, 0.2495, 0.25, 0.2505, 0.251, 0.2515, 0.252, 0.2525, 0.253, 0.2535, 0.254, 0.2545, 0.255, 0.2555, 0.256, 0.2565, 0.257, 0.2575, 0.258, 0.2585, 0.259, 0.2595, 0.26, 0.2605, 0.261, 0.2615, 0.262, 0.2625, 0.263, 0.2635, 0.264, 0.2645, 0.265, 0.2655, 0.266, 0.2665, 0.267, 0.2675, 0.268, 0.2685, 0.269, 0.2695, 0.27, 0.2705, 0.271, 0.2715, 0.272, 0.2725, 0.273, 0.2735, 0.274, 0.2745, 0.275, 0.2755, 0.276, 0.2765, 0.277, 0.2775, 0.278, 0.2785, 0.279, 0.2795, 0.28, 0.2805, 0.281, 0.2815, 0.282, 0.2825, 0.283, 0.2835, 0.284, 0.2845, 0.285, 0.2855, 0.286, 0.2865, 0.287, 0.2875, 0.288, 0.2885, 0.289, 0.2895, 0.29, 0.2905, 0.291, 0.2915, 0.292, 0.2925, 0.293, 0.2935, 0.294, 0.2945, 0.295, 0.2955, 0.296, 0.2965, 0.297, 0.2975, 0.298, 0.2985, 0.299, 0.3, 0.3005, 0.301, 0.3015, 0.302, 0.3025, 0.303, 0.3035, 0.304, 0.3045, 0.305, 0.3055, 0.306, 0.3065, 0.307, 0.3075, 0.308, 0.3085, 0.309, 0.3095, 0.31, 0.3105, 0.311, 0.3115, 0.312, 0.3125, 0.313, 0.3135, 0.314, 0.3145, 0.315, 0.3155, 0.316, 0.3165, 0.317, 0.3175, 0.318, 0.3185, 0.319, 0.3195, 0.32, 0.3205, 0.321, 0.3215, 0.322, 0.3225, 0.323, 0.3235, 0.324, 0.3245, 0.325, 0.3255, 0.326, 0.3265, 0.327, 0.3275, 0.328, 0.3285, 0.329, 0.3295, 0.33, 0.3305, 0.331, 0.3315, 0.332, 0.3325, 0.333, 0.3335, 0.334, 0.3345, 0.335, 0.3355, 0.336, 0.3365, 0.337, 0.3375, 0.338, 0.3385, 0.339, 0.3395, 0.34, 0.3405, 0.341, 0.3415, 0.342, 0.3425, 0.343, 0.3435, 0.344, 0.3445, 0.345, 0.3455, 0.346, 0.3465, 0.347, 0.3475, 0.348, 0.3485, 0.349, 0.3495, 0.35, 0.3505, 0.351, 0.3515, 0.352, 0.3525, 0.353, 0.3535, 0.354, 0.3545, 0.355, 0.3555, 0.356, 0.3565, 0.357, 0.3575, 0.358, 0.3585, 0.359, 0.3595, 0.36, 0.3605, 0.361, 0.3615, 0.362, 0.3625, 0.363, 0.3635, 0.364, 0.3645, 0.365, 0.3655, 0.366, 0.3665, 0.367, 0.3675, 0.368, 0.3685, 0.369, 0.3695, 0.37, 0.3705, 0.371, 0.3715, 0.372, 0.3725, 0.373, 0.3735, 0.374, 0.3745, 0.375, 0.3755, 0.376, 0.3765, 0.377, 0.3775, 0.378, 0.3785, 0.379, 0.3795, 0.38, 0.3805, 0.381, 0.3815, 0.382, 0.3825, 0.383, 0.3835, 0.384, 0.3845, 0.385, 0.3855, 0.386, 0.3865, 0.387, 0.3875, 0.388, 0.3885, 0.389, 0.3895, 0.39, 0.3905, 0.391, 0.3915, 0.392, 0.3925, 0.393, 0.3935, 0.394, 0.3945, 0.395, 0.3955, 0.396, 0.3965, 0.397, 0.3975, 0.398, 0.3985, 0.399, 0.4, 0.4005, 0.401, 0.4015, 0.402, 0.4025, 0.403, 0.4035, 0.404, 0.4045, 0.405, 0.4055, 0.406, 0.4065, 0.407, 0.4075, 0.408, 0.4085, 0.409, 0.4095, 0.41, 0.4105, 0.411, 0.4115, 0.412, 0.4125, 0.413, 0.4135, 0.414, 0.4145, 0.415, 0.4155, 0.416, 0.4165, 0.417, 0.4175, 0.418, 0.4185, 0.419, 0.4195, 0.42, 0.4205, 0.421, 0.4215, 0.422, 0.4225, 0.423, 0.4235, 0.424, 0.4245, 0.425, 0.4255, 0.426, 0.4265, 0.427, 0.4275, 0.428, 0.4285, 0.429, 0.4295, 0.43, 0.4305, 0.431, 0.4315, 0.432, 0.4325, 0.433, 0.4335, 0.434, 0.4345, 0.435, 0.4355, 0.436, 0.4365, 0.437, 0.4375, 0.438, 0.4385, 0.439, 0.4395, 0.44, 0.4405, 0.441, 0.4415, 0.442, 0.4425, 0.443, 0.4435, 0.444, 0.4445, 0.445, 0.4455, 0.446, 0.4465, 0.447, 0.4475, 0.448, 0.4485, 0.449, 0.4495, 0.45, 0.4505, 0.451, 0.4515, 0.452, 0.4525, 0.453, 0.4535, 0.454, 0.4545, 0.455, 0.4555, 0.456, 0.4565, 0.457, 0.4575, 0.458, 0.4585, 0.459, 0.4595, 0.46, 0.4605, 0.461, 0.4615, 0.462, 0.4625, 0.463, 0.4635, 0.464, 0.4645, 0.465, 0.4655, 0.466, 0.4665, 0.467, 0.4675, 0.468, 0.4685, 0.469, 0.4695, 0.47, 0.4705, 0.471, 0.4715, 0.472, 0.4725, 0.473, 0.4735, 0.474, 0.4745, 0.475, 0.4755, 0.476, 0.4765, 0.477, 0.4775, 0.478, 0.4785, 0.479, 0.4795, 0.48, 0.4805, 0.481, 0.4815, 0.482, 0.4825, 0.483, 0.4835, 0.484, 0.4845, 0.485, 0.4855, 0.486, 0.4865, 0.487, 0.4875, 0.488, 0.4885, 0.489, 0.4895, 0.49, 0.4905, 0.491, 0.4915, 0.492, 0.4925, 0.493, 0.4935, 0.494, 0.4945, 0.495, 0.4955, 0.496, 0.4965, 0.497, 0.4975, 0.498, 0.4985, 0.499, 0.5, 0.5005, 0.501, 0.5015, 0.502, 0.5025, 0.503, 0.5035, 0.504, 0.5045, 0.505, 0.5055, 0.506, 0.5065, 0.507, 0.5075, 0.508, 0.5085, 0.509, 0.5095, 0.51, 0.5105, 0.511, 0.5115, 0.512, 0.5125, 0.513, 0.5135, 0.514, 0.5145, 0.515, 0.5155, 0.516, 0.5165, 0.517, 0.5175, 0.518, 0.5185, 0.519, 0.5195, 0.52, 0.5205, 0.521, 0.5215, 0.522, 0.5225, 0.523, 0.5235, 0.524, 0.5245, 0.525, 0.5255, 0.526, 0.5265, 0.527, 0.5275, 0.528, 0.5285, 0.529, 0.5295, 0.53, 0.5305, 0.531, 0.5315, 0.532, 0.5325, 0.533, 0.5335, 0.534, 0.5345, 0.535, 0.5355, 0.536, 0.5365, 0.537, 0.5375, 0.538, 0.5385, 0.539, 0.5395, 0.54, 0.5405, 0.541, 0.5415, 0.542, 0.5425, 0.543, 0.5435, 0.544, 0.5445, 0.545, 0.5455, 0.546, 0.5465, 0.547, 0.5475, 0.548, 0.5485, 0.549, 0.5495, 0.55, 0.5505, 0.551, 0.5515, 0.552, 0.5525, 0.553, 0.5535, 0.554, 0.5545, 0.555, 0.5555, 0.556, 0.5565, 0.557, 0.5575, 0.558, 0.5585, 0.559, 0.5595, 0.56, 0.5605, 0.561, 0.5615, 0.562, 0.5625, 0.563, 0.5635, 0.564, 0.5645, 0.565, 0.5655, 0.566, 0.5665, 0.567, 0.5675, 0.568, 0.5685, 0.569, 0.5695, 0.57, 0.5705, 0.571, 0.5715, 0.572, 0.5725, 0.573, 0.5735, 0.574, 0.5745, 0.575, 0.5755, 0.576, 0.576 |